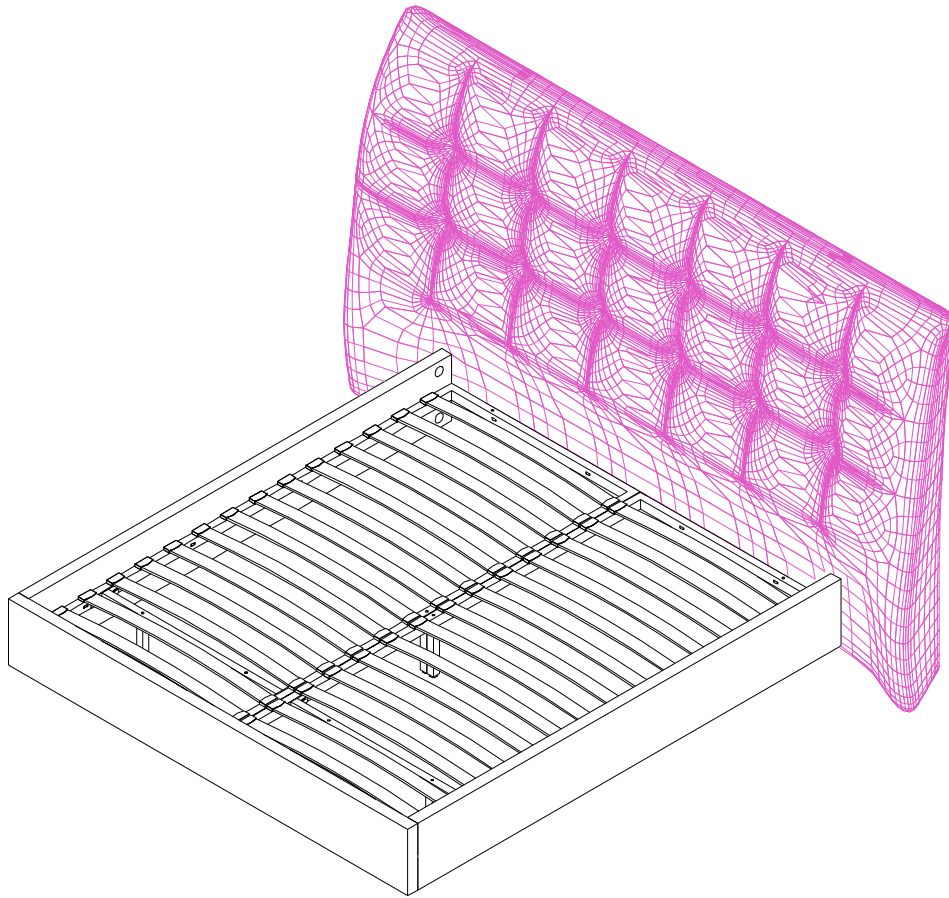
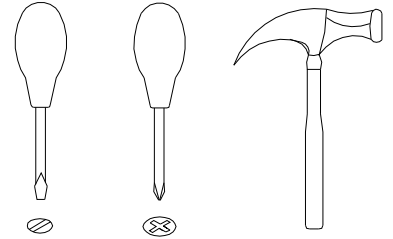
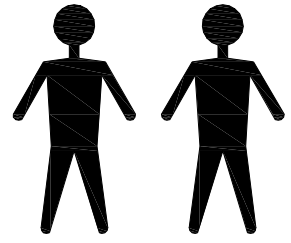


# # CP1413B2-HA-FS



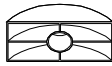
# # CP1413B2-HA-FS



A x8  
Spec:  $\varnothing 10 \times 40$



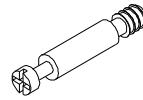
B x4  
Spec: M8\*L95



C x4  
Spec:



D x4  
Spec: M8



E x4  
Spec:  $\varnothing 7 \times L30$



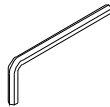
F x4  
Spec:  $\varnothing 15 \times H12$



G x1  
Spec: 10g



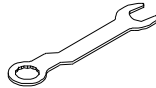
H x4  
Spec: L198



I x1  
Spec: 5#



J x4  
Spec:  $\varnothing 38$



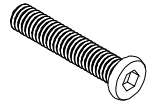
K x1  
Spec: 14#



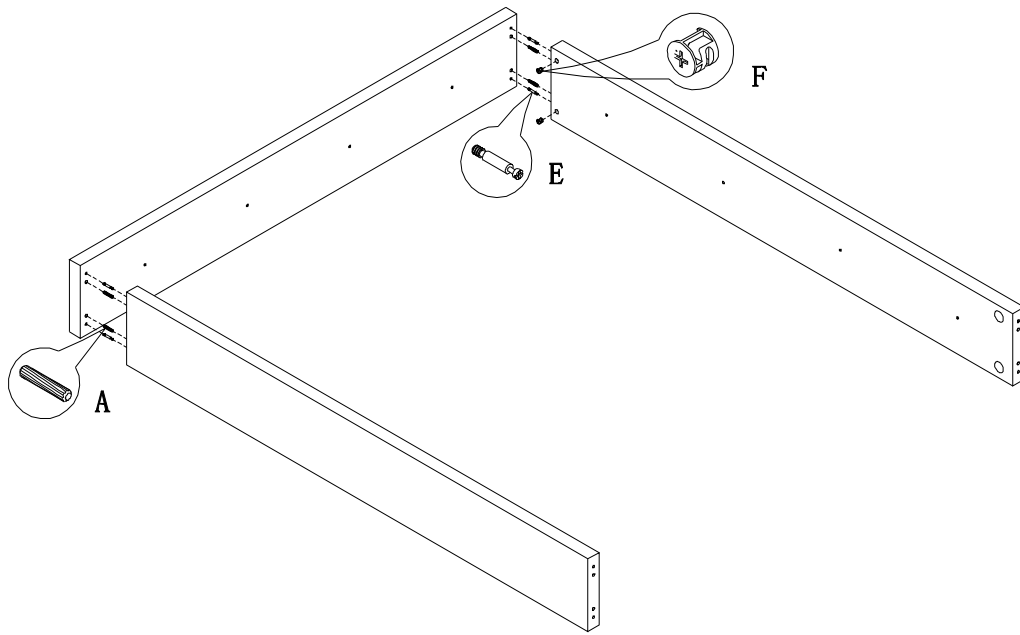
L x16  
Spec: M6\*45



M x20  
Spec:  $\varnothing 8 \times \varnothing 18$

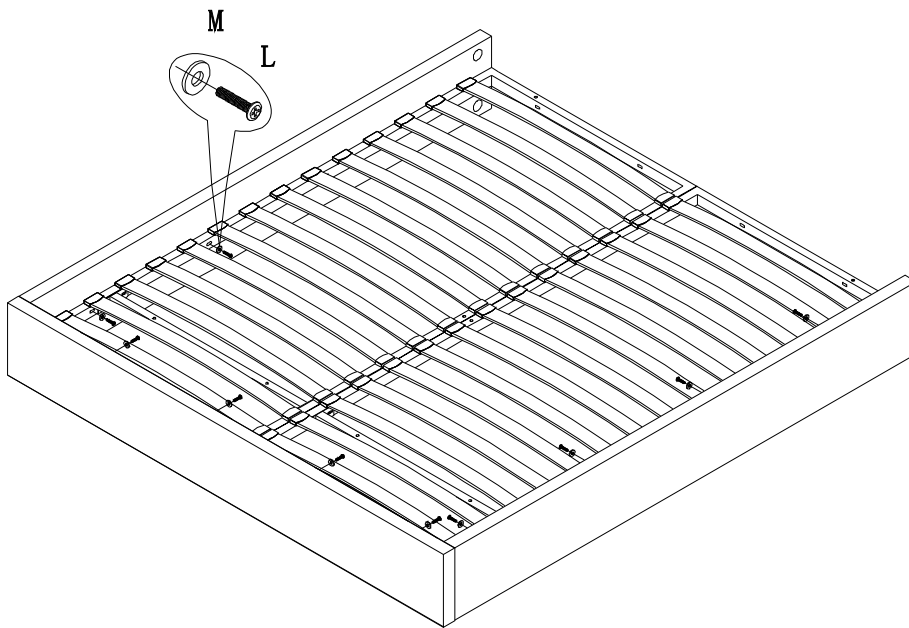


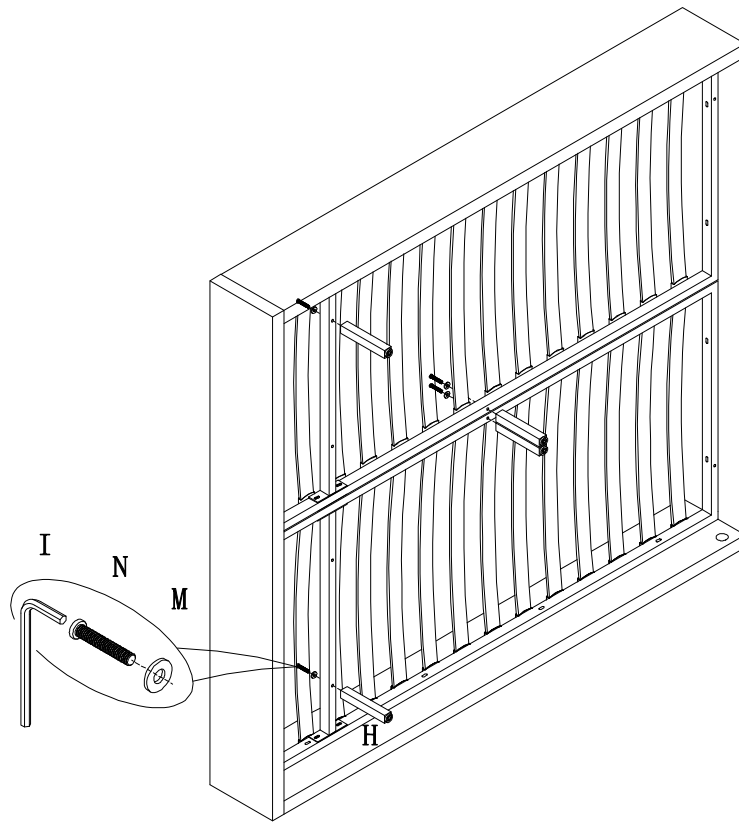
N x4  
Spec: 5/16\*L60



1

2





3

4

